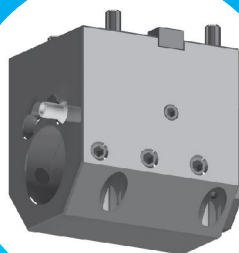
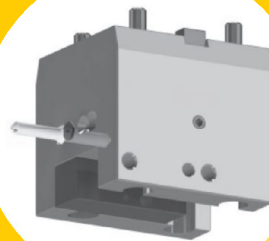
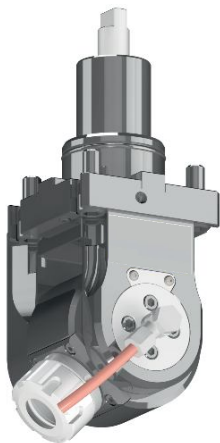
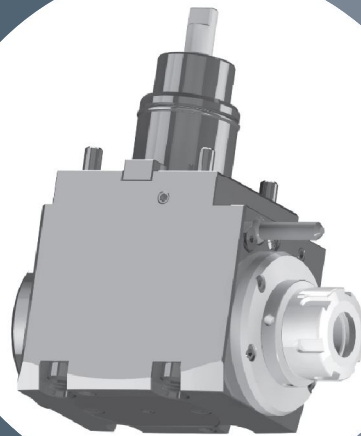


# EuroDrive

Made In Europe

## Live Tools Product Catalogue





**EuroDrive** provides its customers high quality Driven Tools and Static Tools for CNC lathes and Machining Centres. We offer a complete range of Driven Tool Holders for all major machines including Haas, Doosan, Okuma, Mazak, Mori Seiki, Jyoti, BFW and LMW.

**EuroDrive** delivers products that meet the highest standards of Performance, Quality and Service. All our products are manufactured in Europe in a modern and state of the art production facility to the highest quality standards of ISO 9001.

**EuroDrive** develops and produces products to meet our customers high technical requirements and specifications. Our team of highly trained & skilled technicians and application engineers collaborate with our customers to develop unique solutions.

**EuroDrive** produces Tool Holders for CNC lathes with axial, radial and adjustable style for BMT, VDI and BOT Turrets. Static Tools are offered for Turning, Boring, Face Grooving, Cut Off and Bar Pulling operations.

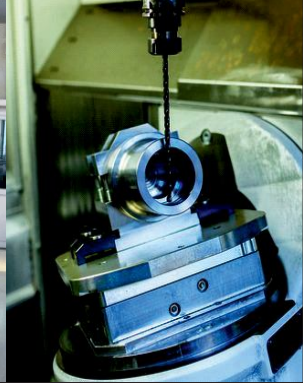
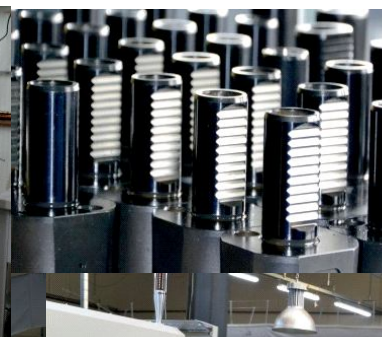
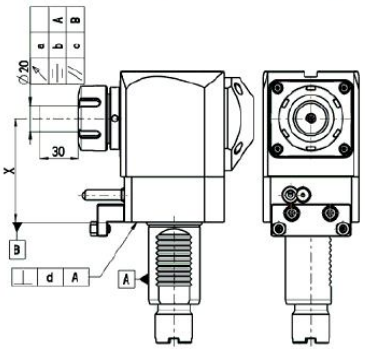
**EuroDrive** heads can be serviced or sent in for periodic maintenance to any one of our Authorized Service Centres located in the markets we serve.



Management System  
ISO 9001:2015



|  |              |                   |                |                 |
|--|--------------|-------------------|----------------|-----------------|
|  | PART NAME :  | RGT140251321180UD | April 17, 2019 | 12:13           |
|  | REV NUMBER : | SER NUMBER :      | 9002           | STATS COUNT : 1 |



# CONTENTS

## Specifications

|                        |   |
|------------------------|---|
| Ordering System .....  | 2 |
| Tool Orientation ..... | 8 |

## BMT Turret Tools

|                         |    |
|-------------------------|----|
| BMT 45 Live .....       | 12 |
| BMT 45 Static .....     | 14 |
| BMT 55 Live .....       | 16 |
| BMT Static .....        | 19 |
| BMT 65 Live .....       | 21 |
| BMT 65 Static .....     | 24 |
| HASS BOT Static .....   | 26 |
| BMT 44 Nakamura .....   | 31 |
| BMT 55 Nakamura .....   | 36 |
| BMT 65 Nakamura .....   | 41 |
| BMT 60 OKUMA .....      | 45 |
| BMT 60 Mori Seiki ..... | 51 |

## VDI Turret Tools

|                            |    |
|----------------------------|----|
| Sauter DIN 5482 .....      | 56 |
| Sauter DIN 5480 .....      | 59 |
| Diplomatic DIN 1809 .....  | 63 |
| Baruffaldi / TOEM .....    | 67 |
| HAAS Turret .....          | 71 |
| OKUMA .....                | 76 |
| VDI Static DIN 69880 ..... | 79 |

## Accessories

85


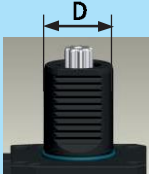















## Operating instructions

86






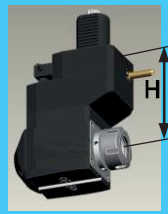
## Maintenance Data Sheet

90

# LIVE TOOLHOLDER SYMBOLIZATION

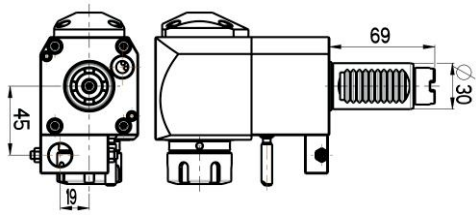
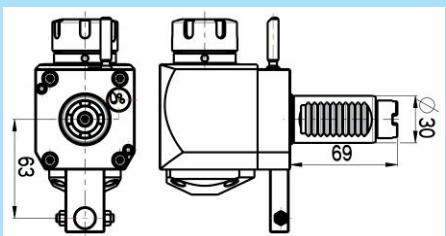
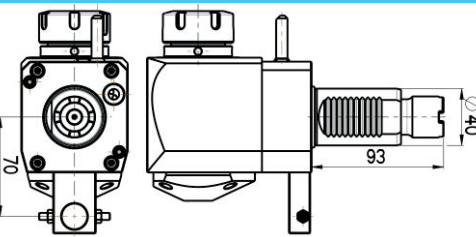
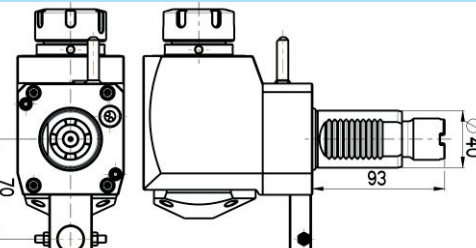
| EDL | TURRET DATA   |   | PRODUCT TYPE  | COUPLING TYPE   | TOOL GRIP   |  |
|-----|---|---|---|---|---|--|
|     | TYPE  | D(mm)   |   |   | TYPE  | DIMENSION                              |
| EDL | <b>1</b>  | <b>40</b>   | <b>2</b>  | <b>5</b>  | <b>1</b>  | <b>32</b>                              |
|     | <b>1 - VDI</b><br>  |   | <b>1 - STRAIGHT</b><br><br><b>2 - ANGULAR</b><br>   | <b>1 - DIN 5482</b><br><br><b>2 - DIN 1809</b><br>  | <b>1 - COLLET</b><br>            | SIZE<br>COLLET<br>16/25/ <b>32</b> /40 |
|     | <b>2 - BMT</b><br> |  | <b>3 - OFFSET STRAIGHT</b><br><br><b>4 - OFFSET ANGULAR</b><br><br><b>5 - VARIABLE ANGLE</b><br> | <b>3 - DIN 5480</b><br><br><b>4 - TOEM</b><br><br><b>5 - STEPPED</b><br> | <b>2 - WELDON</b><br>           | WELDON<br>upon request                 |
|     |   |   |   |   | <b>3 - SHELL MILL ARBOR</b><br> | SHELL MILL<br>ARBOR<br>upon request    |

Example: EDL1- 40/251-32/2.2-80A

| INTERNAL COOLING                                | ONLY FOR ANGULAR<br>OFFSET STRAIGHT<br>OFFSET ANGULAR  |  | DETAILS CODE   |
|---|--|--|--|
|   | DIRECTION  | H (mm)   |  |
| <b>2</b>  | <b>2</b>   | <b>80</b>  | <b>A</b>   |
| <b>1 - NO</b><br><b>2 - YES</b><br>(max 20 bar) | <b>1 - RIGHT</b><br>           | <br><br> | See details code table<br><br>Please check the pages no. 3-4 |
|   | <b>2 - LEFT</b><br>           |  |  |
|   | <b>3 - RIGHT&amp;LEFT</b><br> |  |  |

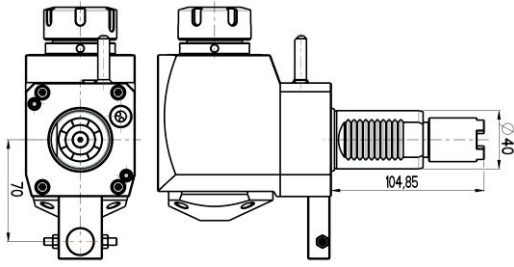
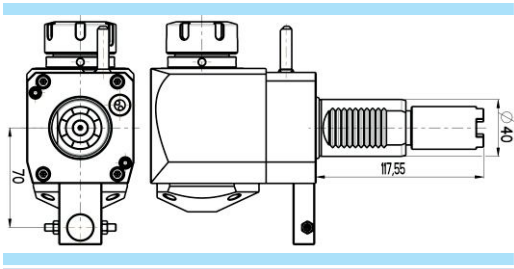
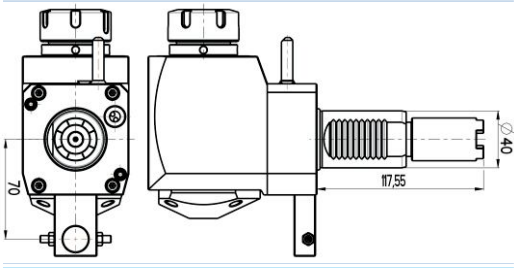
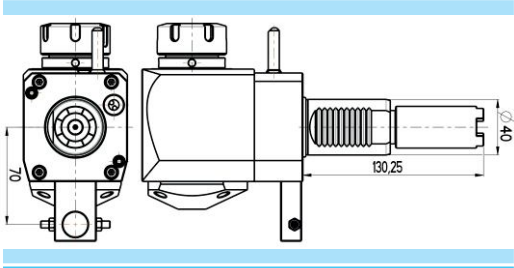
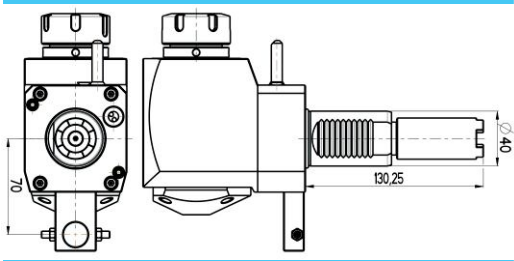


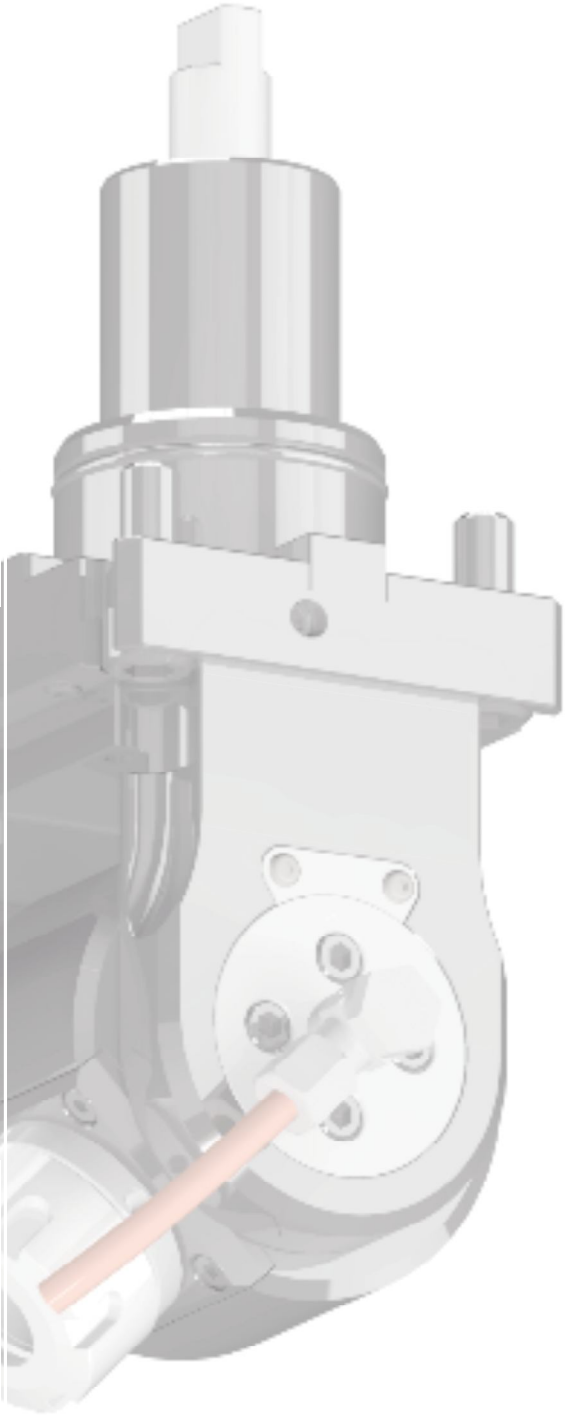
| Details code |                  | Technical details |  | Details code |                  | Technical details |  |
|--------------|------------------|-------------------|--|--------------|------------------|-------------------|--|
| JB           | VDI40<br>OKUMA   |                   |  | C            | VDI30<br>DIN1809 |                   |  |
| JC           | VDI40<br>OKUMA   |                   |  | D            | VDI30<br>DIN1809 |                   |  |
| JD           | VDI40<br>OKUMA   |                   |  | S            | VDI40<br>(short) |                   |  |
| JE           | VDI40<br>OKUMA   |                   |  | D            | VDI40<br>TOEM    |                   |  |
| B            | VDI30<br>DIN1809 |                   |  | A            | VDI40<br>HAAS    |                   |  |

| Details code |   | Technical details   |  |
|--------------|---|---|--|
| (1:2)        | Ratio 1:2                                       | $n_1=6000\text{r/min (in)}$<br>$n_2=12000\text{r/min (out)}$                        |  |
| (2:1)        | Ratio 2:1                                       | $n_2=6000\text{r/min (in)}$<br>$n_1=3000\text{r/min (out)}$                         |  |
| JA           | VDI30<br>OKUMA                                  |    |  |
| JB           | VDI30<br>OKUMA                                  |  |  |
| JA           | VDI40<br>OKUMA                                  |  |  |
| JAS          | VDI40<br>OKUMA<br>same<br>direction<br>(in-out) |  |  |



| Details code                | Technical details |  | Details code                       | Technical details |  |
|-----------------------------|-------------------|--|------------------------------------|-------------------|--|
| (JA)<br>BMT60<br>OKUMA      |                   |  | (DO)<br>BMT65<br>DOOSAN            |                   |  |
| (JB)<br>BMT60<br>OKUMA      |                   |  | (NT)<br>BMT44<br>NAKAMURA<br>-TOME |                   |  |
| (MS)<br>BMT60<br>MORI-SEIKI |                   |  | (NT)<br>BMT55<br>NAKAMURA<br>TOME  |                   |  |
| (DO)<br>BMT45<br>DOOSAN     |                   |  | (NT)<br>BMT65<br>NAKAMURA<br>-TOME |                   |  |
| (DO)<br>BMT55<br>DOOSAN     |                   |  |                                    |                   |  |

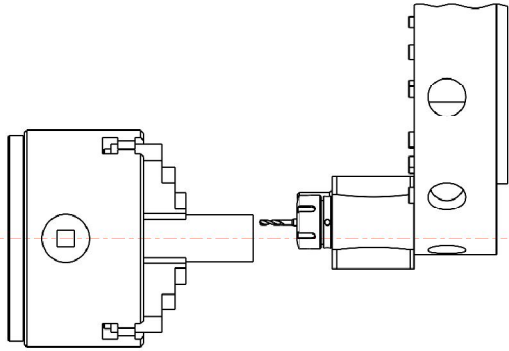
| Details code | Technical details                  |   |
|--------------|------------------------------------|---|
| AS           | VDI40 HAAS same direction (in-out) |    |
| B            | VDI40 HAAS                         |   |
| BS           | VDI40 HAAS same direction (in-out) |  |
| C            | VDI40 HAAS                         |  |
| CS           | VDI40 HAAS same direction (in-out) |  |



## DIN 5482 Operations with VDI Disk-type turret

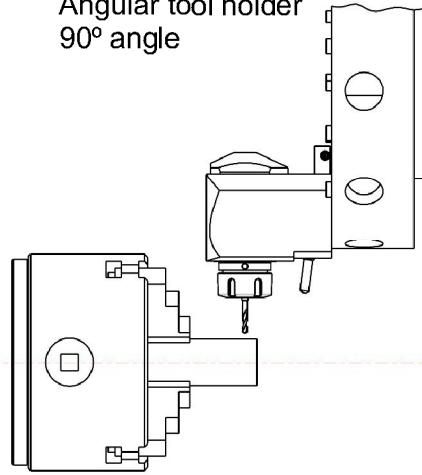
### Axial operation

Straight tool holder

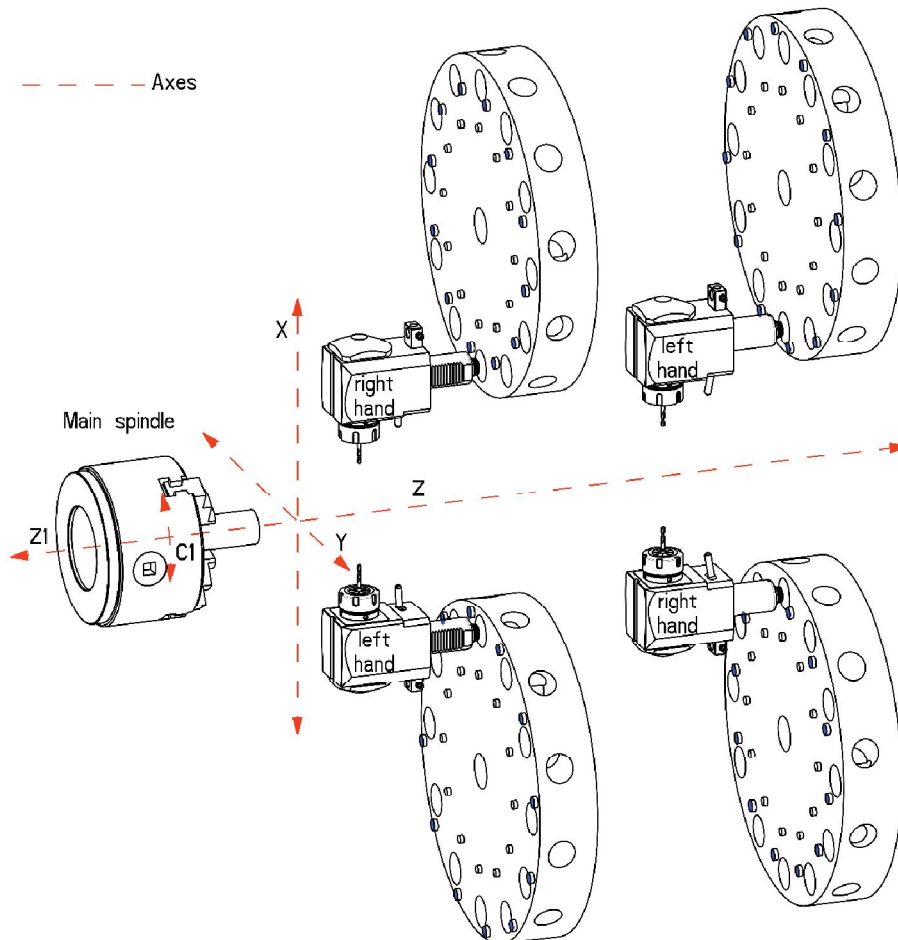


### Radial operation

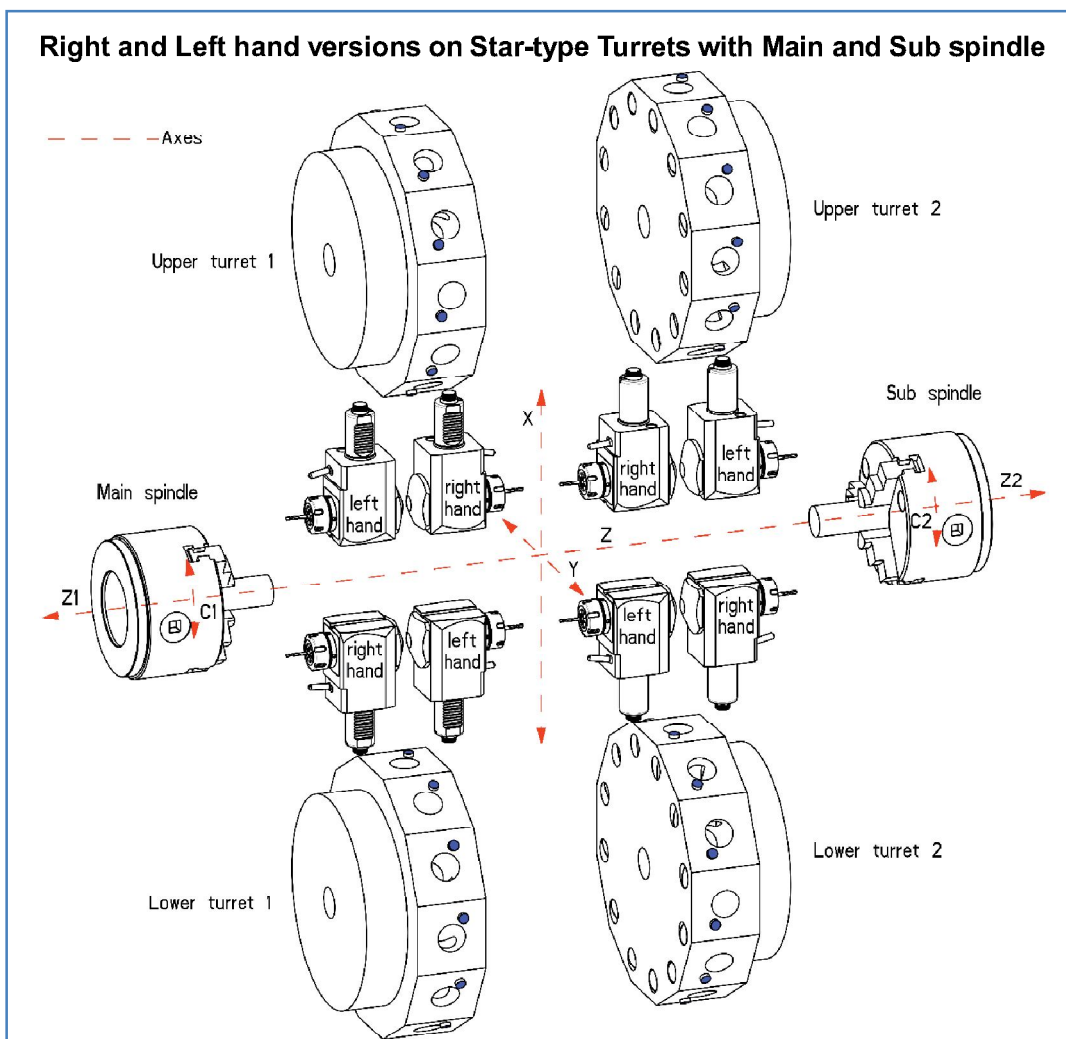
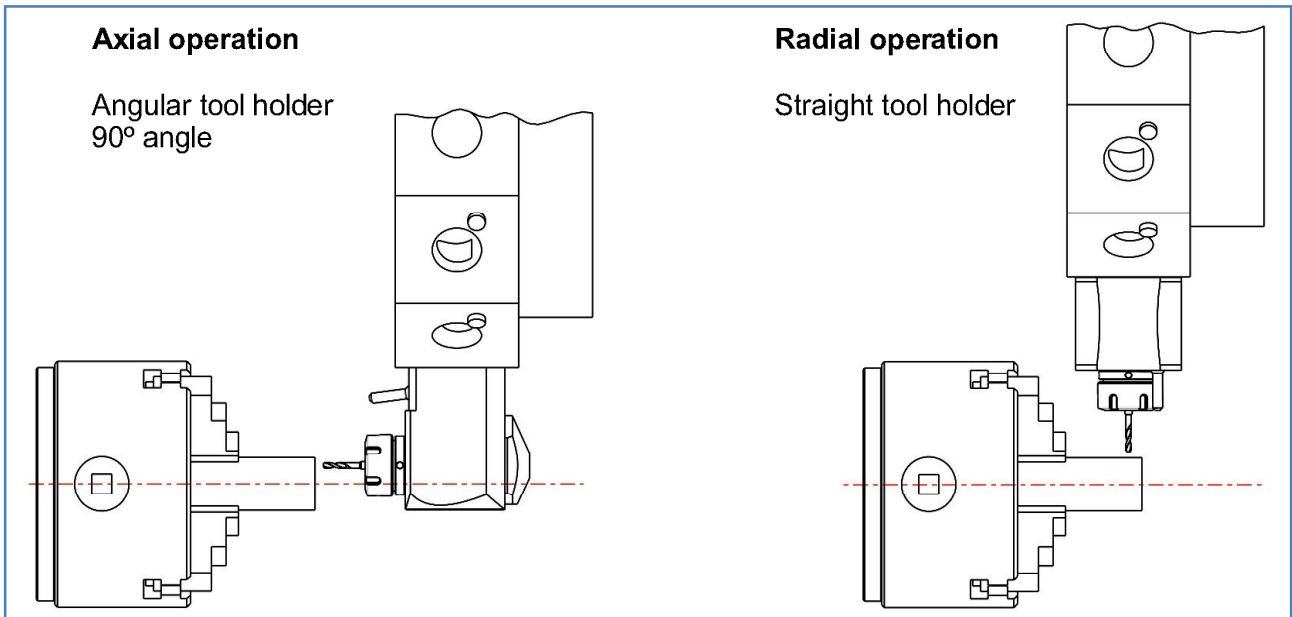
Angular tool holder  
90° angle

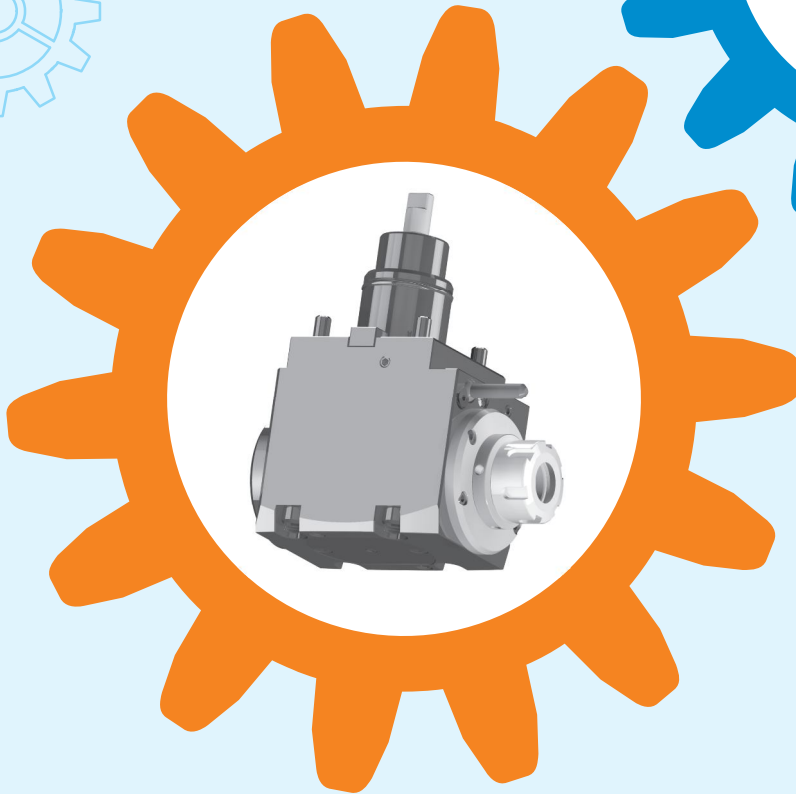
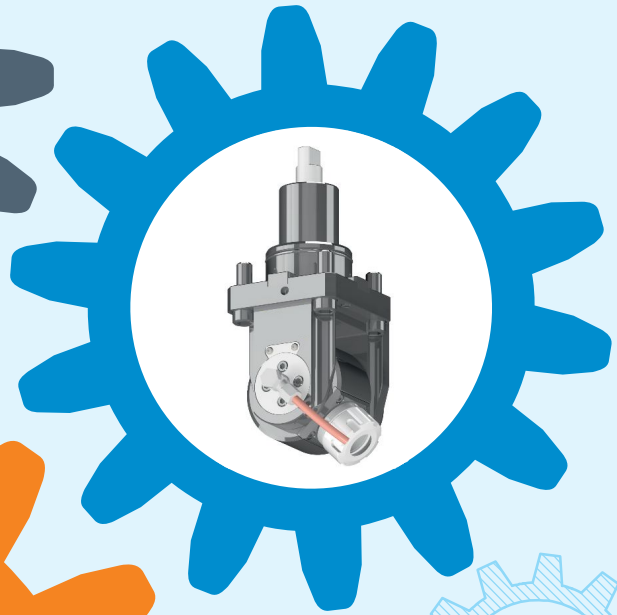
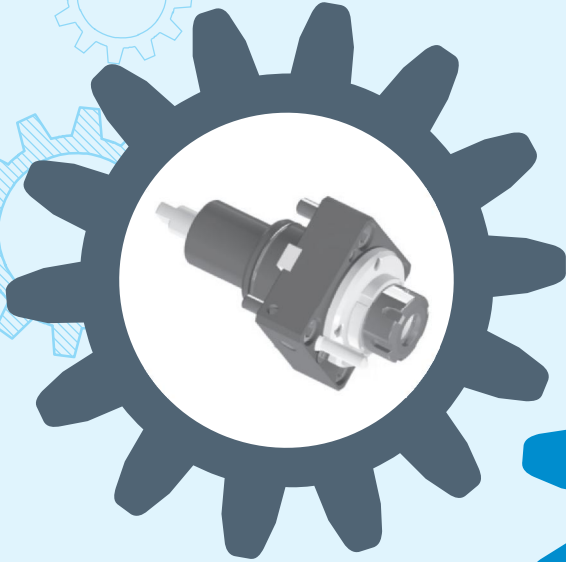


### Right and Left hand versions on Disk-type Turrets



## DIN 5480 Operations with VDI Star-type turret





# BMT TURRET TOOLHOLDERS

## Suitable for:

ACE

BFW

Biglia

DOOSAN

Gildemeister/ DMG MORI

HAAS

HAAS BMT & BOT

Hardinge

Hwacheon

HYUNDAI WIA

Jyoti

Leadwell

LMW

Mazak

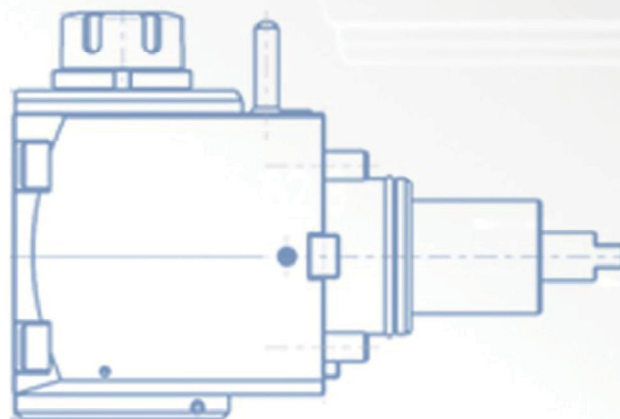
Mori Seiki

Muratec

Nakamura-Tome

OKUMA

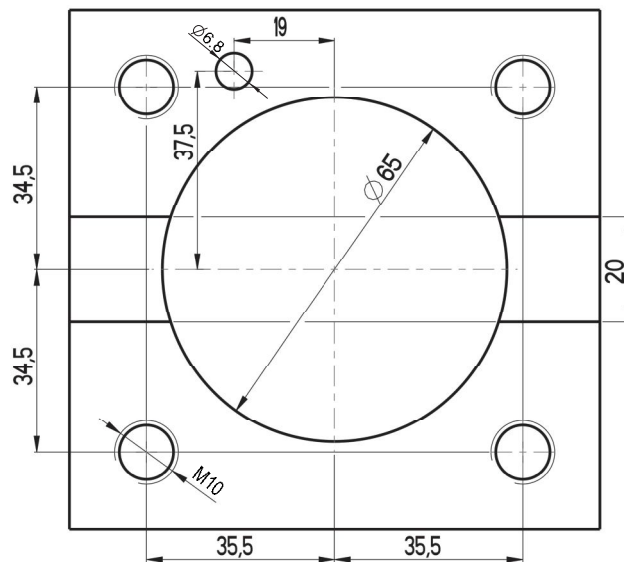
VICTOR



## NAKAMURA-TOME LIVE AND STATIC TOOLHOLDERS BMT65

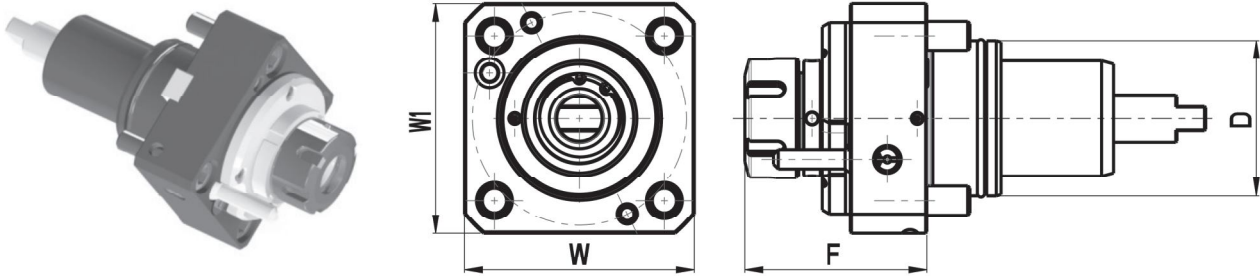
|               |                                       |
|---------------|---------------------------------------|
| Nakamura-Tome | WT300                                 |
|               | SC300                                 |
|               | TW20                                  |
|               | TMC-200M, TMC-300M                    |
|               | SUPER NTX                             |
|               | TW20M, MY, MM, MMY, MMY (12 stations) |
|               | TW30M, MY, MM, MMY, MMY (16 stations) |

## CONNECTION TURRET - NAKAMURA-TOME BMT65



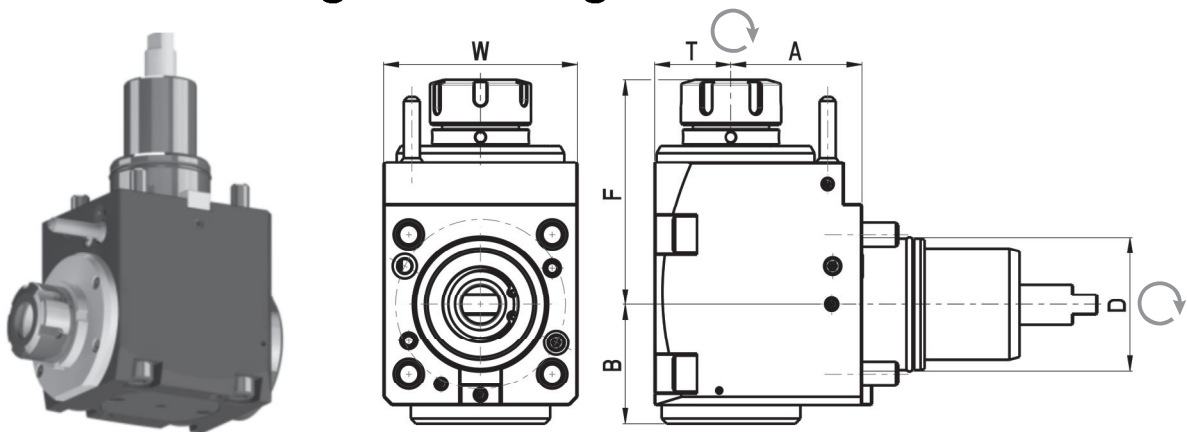
## NAKAMURA-TOME LIVE TOOLHOLDERS BMT65

### Straight BMT drilling and milling head



| Code                 | D  | Tool grip | Internal Cooling | F  | W  | W1 | Torque [Nm] | Speed [rpm] | Ratio | P [bar] |
|----------------------|----|-----------|------------------|----|----|----|-------------|-------------|-------|---------|
| EDL2-65/101-32/1(NT) | 65 | ER32      | no               | 75 | 96 | 96 | 70          | 6000        | 1:1   | -       |
| EDL2-65/101-32/2(NT) | 65 | ER32      | yes              | 75 | 96 | 96 | 70          | 6000        | 1:1   | 20      |

### Angular BMT drilling and milling head



| Code                      | D  | Tool grip | Internal Cooling | Direction  | A  | B  | F   | T  | W  | Torque [Nm] | Speed [rpm] | Ratio | P [bar] |
|---------------------------|----|-----------|------------------|------------|----|----|-----|----|----|-------------|-------------|-------|---------|
| EDL2-65/201-32/1.3-65(NT) | 65 | ER32      | no               | right/left | 65 | 59 | 110 | 38 | 96 | 70          | 6000        | 1:1   | -       |
| EDL2-65/201-32/2.3-65(NT) | 65 | ER32      | yes              | right/left | 65 | 59 | 110 | 38 | 96 | 70          | 6000        | 1:1   | 20      |

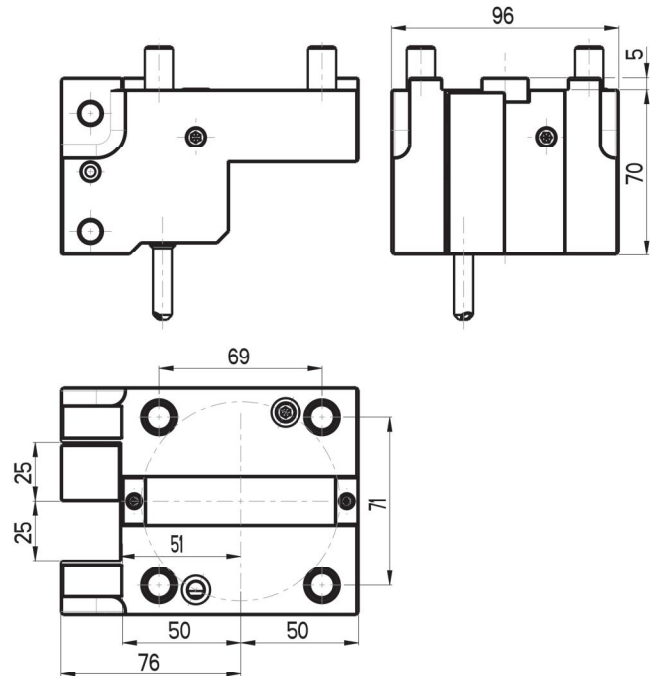
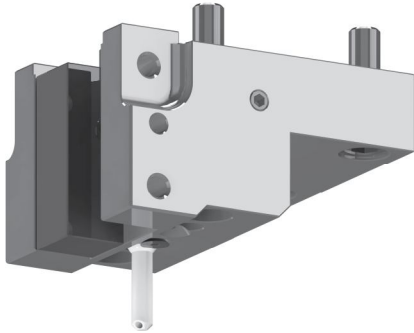
\* The straight, angular and variable toolholders can be equipped with Weldon shaft or shell-mill shaft upon request.



## NAKAMURA-TOME STATIC TOOLHOLDERS BMT65

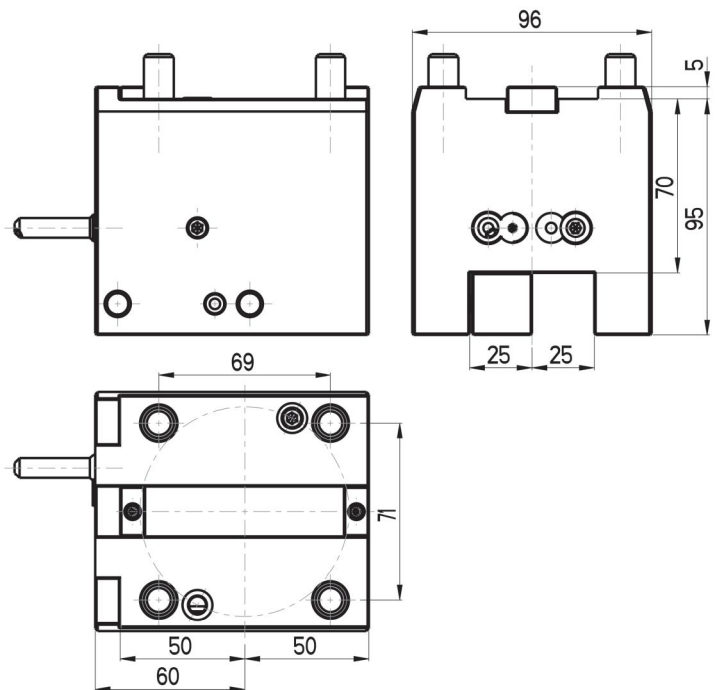
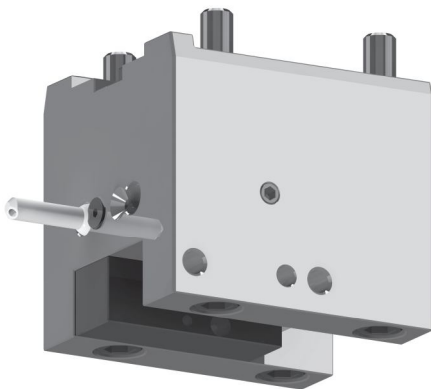
### Universal turning holder

EDS OD -65x25x70(NT)  
External cooling



### Universal turning face holder

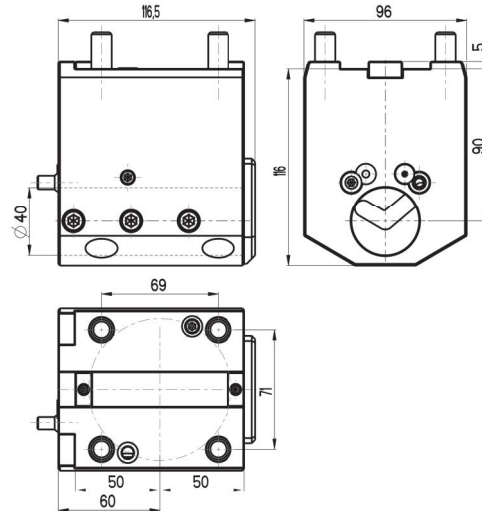
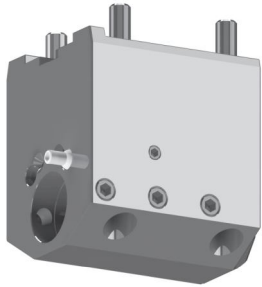
EDS F -65x25x95(NT)  
External cooling



## NAKAMURA-TOME STATIC TOOLHOLDERS BMT65

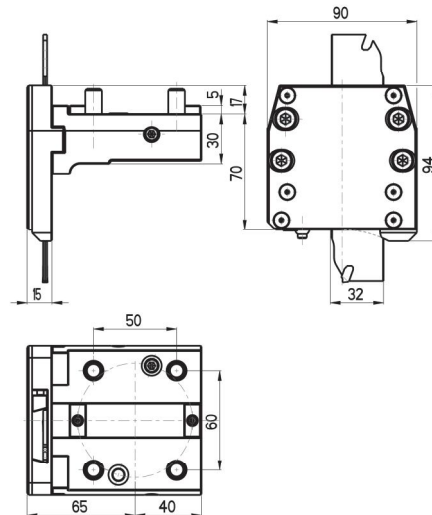
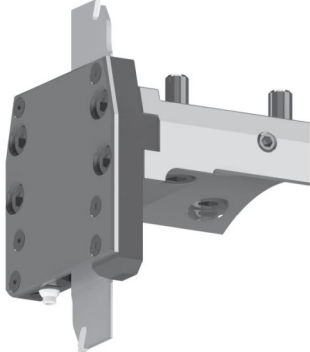
### Boring bar holder

EDS ID-65x40x90(NT)  
External/Internal cooling



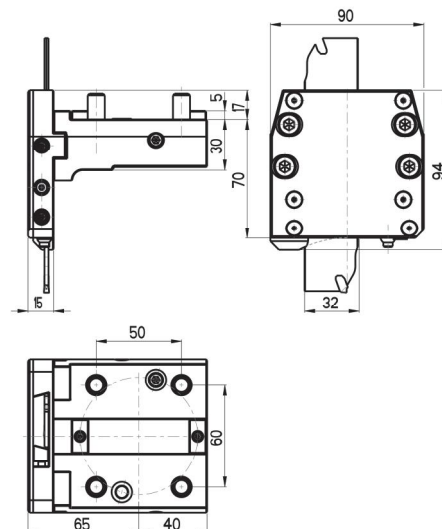
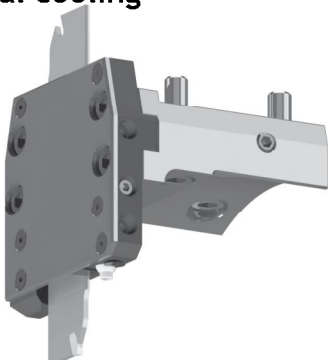
### Cut off toolholder (right)

EDS CR-65x32(NT)  
External cooling



### Cut off toolholder (left)

EDS CL-65x32(NT)  
External cooling





# **SAMTEC**

Your Partner For Innovative Tooling Solutions

## **Samtec Tools & Accessories Pvt. Ltd.**

Survey No.33/3, Behind MITCON Institute, Balewadi,  
PUNE-411 045, INDIA

Mobile: +91 9325409714,

Tel No: +91 9175105689, 7507205689

web.: [www.samtectools.com](http://www.samtectools.com)

[ashish@samtectools.com](mailto:ashish@samtectools.com)

[info@samtectools.com](mailto:info@samtectools.com)

Distributed by: